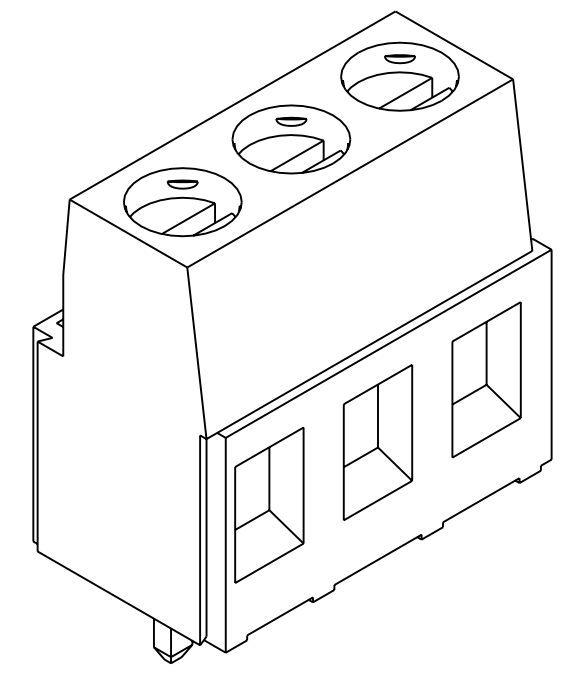
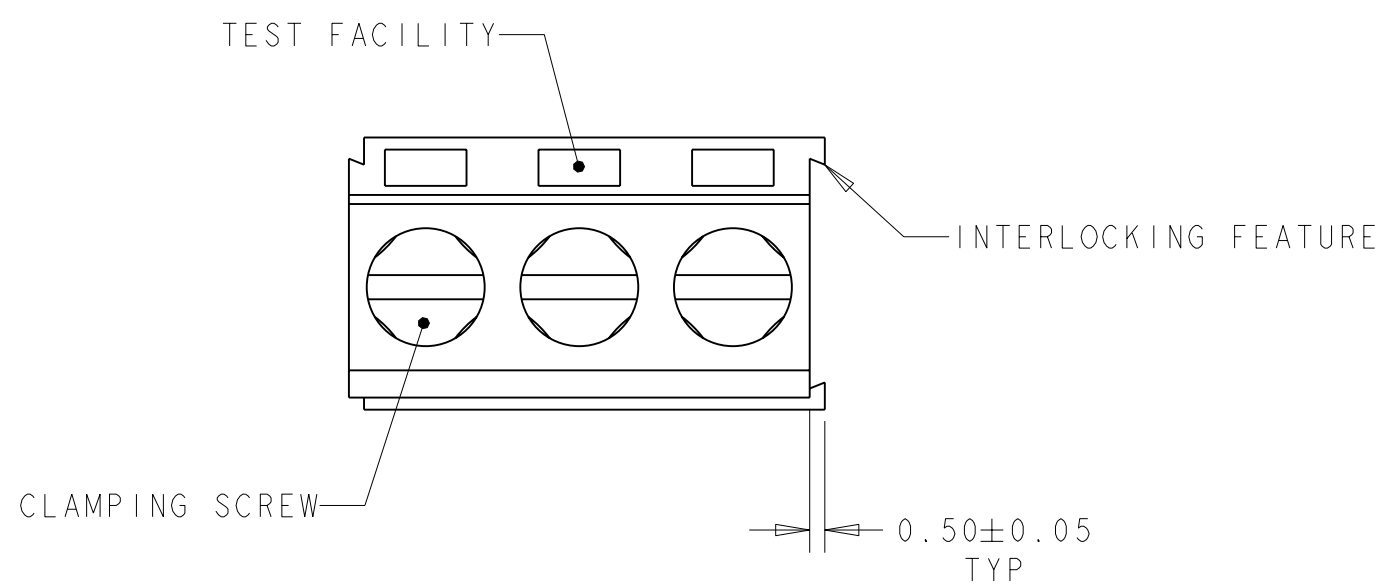
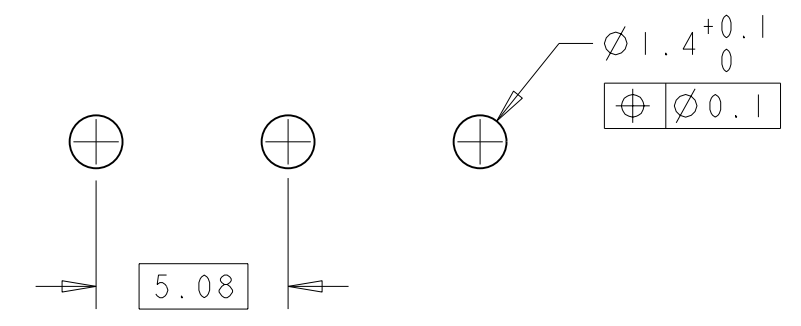
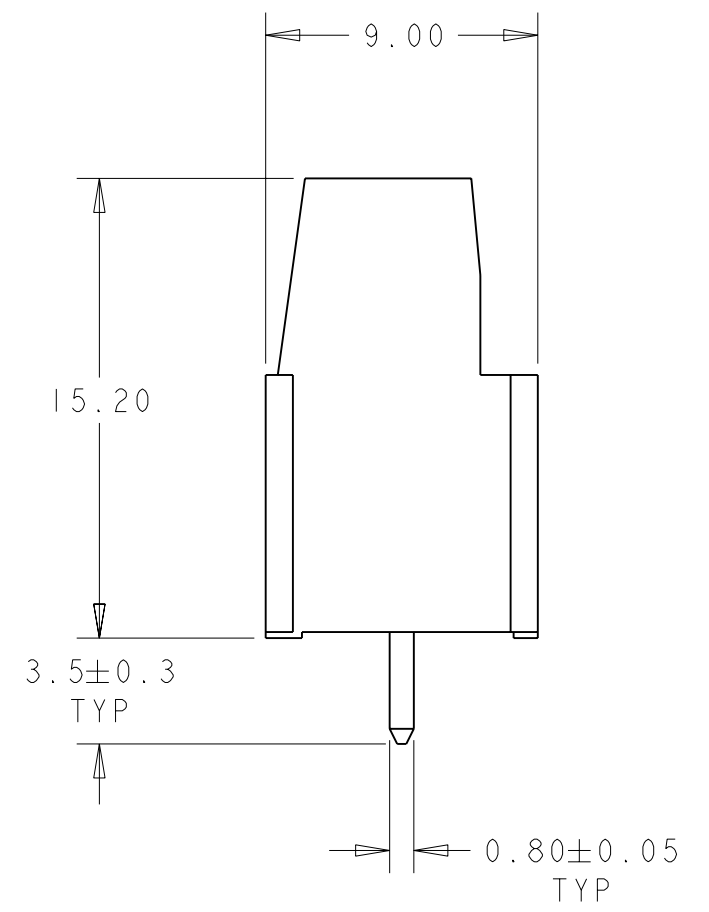
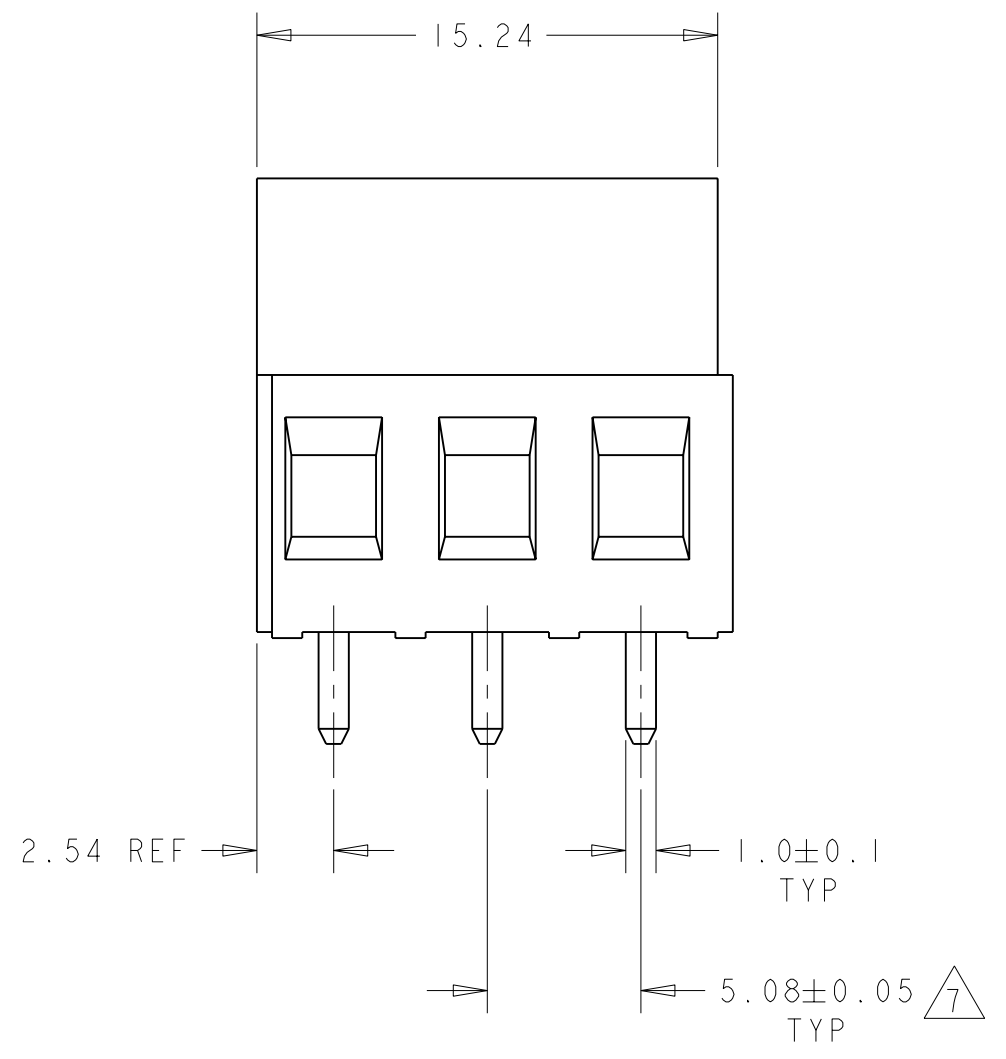


THIS DRAWING IS UNPUBLISHED. RELEASED FOR PUBLICATION 20  
 © COPYRIGHT 20 BY TYCO ELECTRONICS CORPORATION. ALL RIGHTS RESERVED.

LOC		DIST		REVISIONS			
P	LTR	DESCRIPTION		DATE	DWN	APVD	
	HI	REVISED ECO-05-007259		02NOV2005	SW	CR	



282841-3 AS SHOWN



RECOMMENDED PC BOARD LAYOUT  
SCALE 5:1

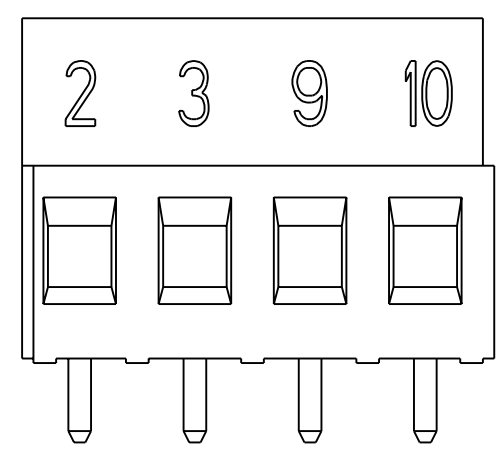
PRELIMINARY  
PRELIMINARY

MATERIAL	FINISH	ANGLE	WEIGHT	NO OF POSN	PART NUMBER
STAINLESS STEEL	-	GREEN	40.64	8	3-282841-7
STAINLESS STEEL	-	GREEN	20.32	4	3-282841-6
STAINLESS STEEL	-	GREEN	15.24	3	3-282841-5
STAINLESS STEEL	-	GREEN	10.16	2	3-282841-4
SEE SHEET 2	SEE SHEET 2	GREEN	45.72	9	3-282841-3
SEE SHEET 2	SEE SHEET 2	GREEN	66.04	13	3-282841-2
PRELIMINARY	SEE SHEET 2	GREEN	20.32	4	3-282841-1
PRELIMINARY	SEE SHEET 2	GREEN	60.96	12	3-282841-0
-	-	BLACK	127.0	25	2-282841-9
-	-	GREEN	127.0	25	2-282841-8
-	-	GREEN	121.92	24	2-282841-7
-	-	GREEN	116.84	23	2-282841-6
-	-	GREEN	111.76	22	2-282841-5
-	-	GREEN	106.68	21	2-282841-4
-	-	GREEN	101.60	20	2-282841-3
-	-	GREEN	96.52	19	2-282841-2
-	-	GREEN	91.44	18	2-282841-1
-	-	GREEN	86.36	17	2-282841-0
-	-	GREEN	81.28	16	1-282841-9
-	-	GREEN	76.20	15	1-282841-8
-	-	GREEN	71.12	14	1-282841-7
-	-	GREEN	66.04	13	1-282841-6
SEE SHEET 2	SEE SHEET 2	GREEN	40.64	8	1-282841-5
SEE SHEET 2	SEE SHEET 2	GREEN	35.56	7	1-282841-4
-	-	BLACK	35.56	7	1-282841-3
-	-	GREEN	60.96	12	1-282841-2
-	-	GREEN	55.88	11	1-282841-1
-	-	GREEN	50.80	10	1-282841-0
-	-	GREEN	45.72	9	282841-9
-	-	GREEN	40.64	8	282841-8
-	-	GREEN	35.56	7	282841-7
-	-	GREEN	30.48	6	282841-6
-	-	GREEN	25.40	5	282841-5
-	-	GREEN	20.32	4	282841-4
-	-	GREEN	15.24	3	282841-3
-	-	GREEN	10.16	2	282841-2
CLAMPING SCREW	MARKING	COLOR	A	NO OF POSN	PART NUMBER

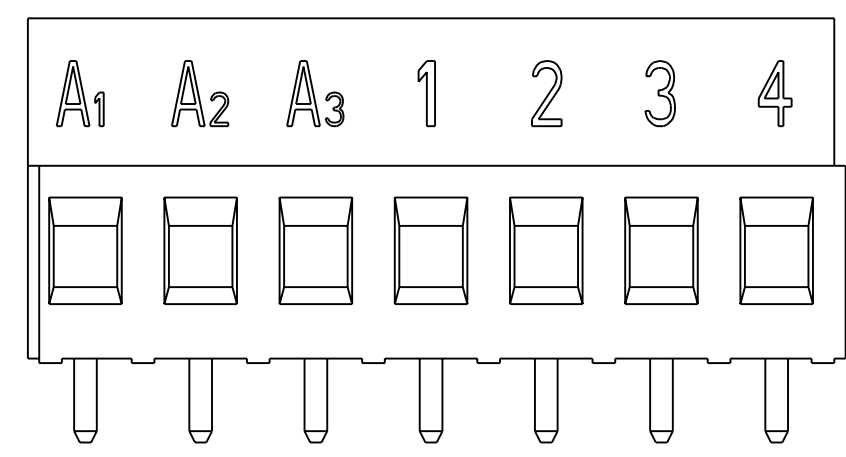
THIS DRAWING IS A CONTROLLED DOCUMENT FOR TYCO ELECTRONICS CORPORATION IT IS SUBJECT TO CHANGE AND THE CONTROLLING ENGINEERING ORGANIZATION SHOULD BE CONTACTED FOR THE LATEST REVISION.		DWN S. WELDON 26JAN2001 CHR D. BIEVENOUR 26JAN2001 APVD D. BIEVENOUR 26JAN2001	<b>BUCHANAN</b> Tyco Electronics Harrisburg, PA 17105-3608
DIMENSIONS: mm	TOLERANCES UNLESS OTHERWISE SPECIFIED: 0 PLC ±0 1 PLC ±.3 2 PLC ±.25 3 PLC ±0 4 PLC ±0 ANGLES ±2°	NAME TERMINAL BLOCK PCB MOUNT W/INTERLOCK, 5.08mm PITCH	SIZE A2 CAGE CODE 00779 DRAWING NO C=282841
MATERIAL	FINISH	APPLIC. SPEC	RESTRICTED TO
-	-	-	-
CUSTOMER DRAWING		SCALE 4:1	SHEET 1 OF 2 REV HI

THIS DRAWING IS UNPUBLISHED. RELEASED FOR PUBLICATION 20  
 © COPYRIGHT 20 BY TYCO ELECTRONICS CORPORATION. ALL RIGHTS RESERVED.

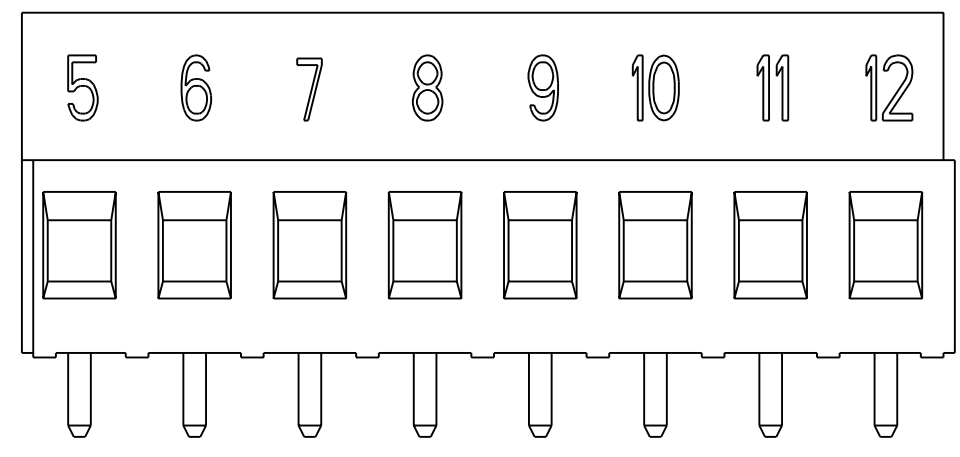
LOC		DIST		REVISIONS					
FT		0		P	LTR	DESCRIPTION	DATE	DWN	APVD
				-		SEE SHEET 1	-	-	-



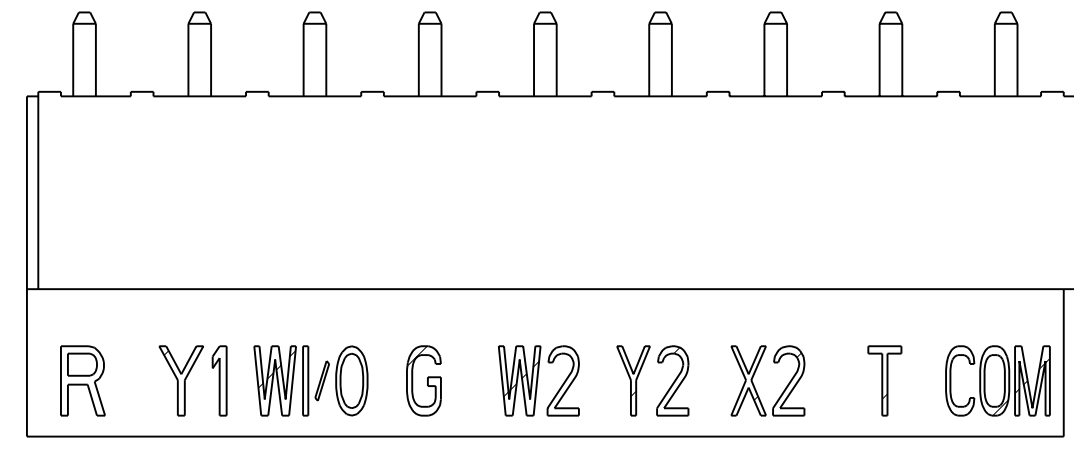
3-282841-1 AS SHOWN  $\triangle 8$



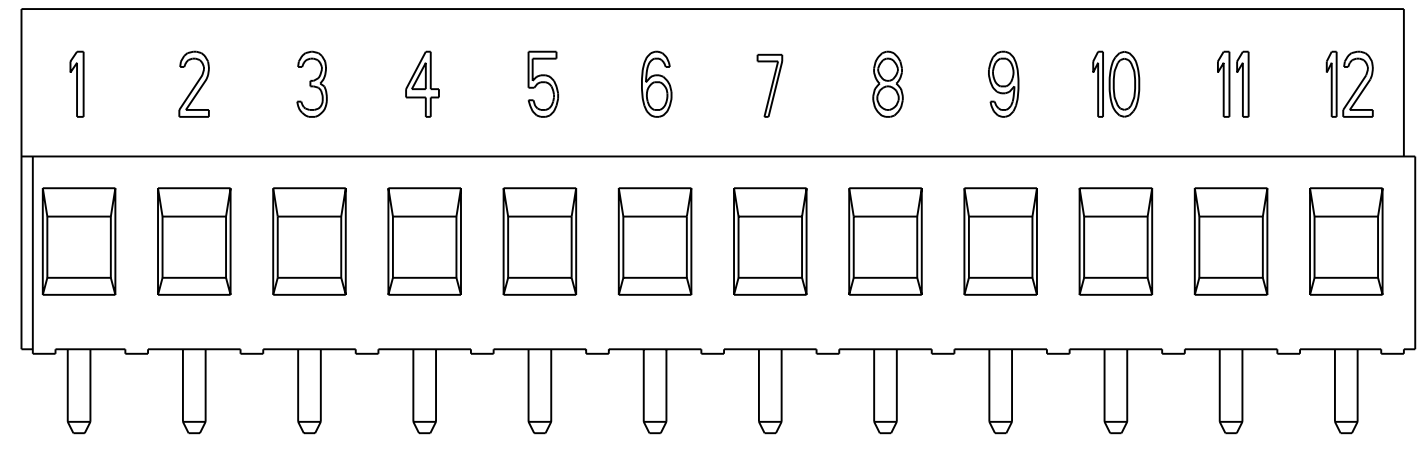
1-282841-4 AS SHOWN  $\triangle 8$



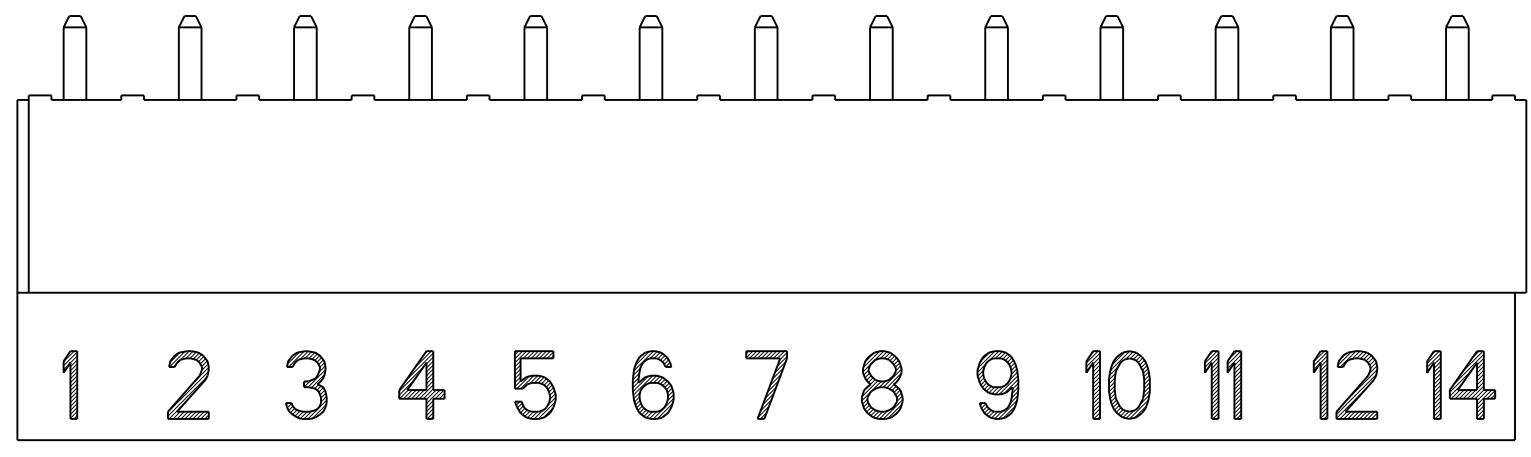
1-282841-5 AS SHOWN  $\triangle 8$



3-282841-3 AS SHOWN  $\triangle 8$



3-282841-0 AS SHOWN  $\triangle 8$



3-282841-2 AS SHOWN  $\triangle 8$

- $\triangle 1$  MATERIALS AND FINISH:  
 HOUSING: PA 6-6, UL 94-V0, COLOR: SEE TABLE.  
 CLAMP: BRASS, NICKEL PLATED.  
 TERMINAL: BRASS, TIN PLATED.  
 CLAMPING SCREW: M3, BRASS, NICKEL PLATED.
- 2. SUITABLE FOR 1,6-2,4mm. PCB THICKNESS.
- 3. END-TO-END STACKABLE W/INTERLOCK WITHOUT LOSS OF CENTERLINE SPACING.
- 4. WIRE SIZE RANGE: 12-30 AWG
- 5. RECOGNIZED UNDER THE COMPONENT PROGRAM OF UNDERWRITERS LABORATORIES INC. FILE No E60677.
- 6. IMO CERTIFICATE WITH SURVEILLANCE IN CONFORMITY WITH IEC 998-1/998-2-1.
- $\triangle 7$  NOT CUMULATIVE TOLERANCE.
- $\triangle 8$  INK MARKING : BLACK COLOR.
- 9. BUCHANAN LOGO TO APPEAR ON HOUSING, LOCATION OPTIONAL, WHERE SPACE PERMITS.

<small>THIS DRAWING IS A CONTROLLED DOCUMENT FOR TYCO ELECTRONICS CORPORATION          IT IS SUBJECT TO CHANGE AND THE CONTROLLING ENGINEERING ORGANIZATION          SHOULD BE CONTACTED FOR THE LATEST REVISION.</small>		DWN S. WELDON 26JAN2001 CHK D. BIEVENOUR 26JAN2001 APVD D. BIEVENOUR 26JAN2001	<b>BUCHANAN</b> Tyco Electronics Harrisburg, PA 17105-3608	
DIMENSIONS: mm 	TOLERANCES UNLESS OTHERWISE SPECIFIED: 0 PLC $\pm 0$ 1 PLC $\pm .3$ 2 PLC $\pm .25$ 3 PLC $\pm 0$ 4 PLC $\pm 0$ ANGLES $\pm 2^\circ$	PRODUCT SPEC APPLICATION SPEC WEIGHT	NAME TERMINAL BLOCK PCB MOUNT W/INTERLOCK, 5.08mm PITCH	
MATERIAL	FINISH	CUSTOMER DRAWING	SIZE A2 CAGE CODE 00779 DRAWING NO C=282841	RESTRICTED TO SCALE 2:1 SHEET 2 OF 2 REV HI